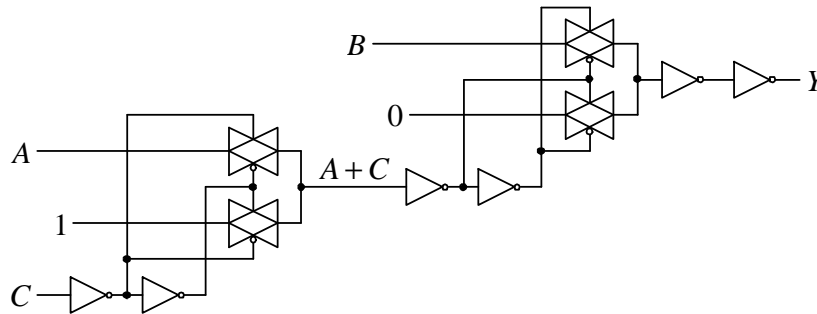


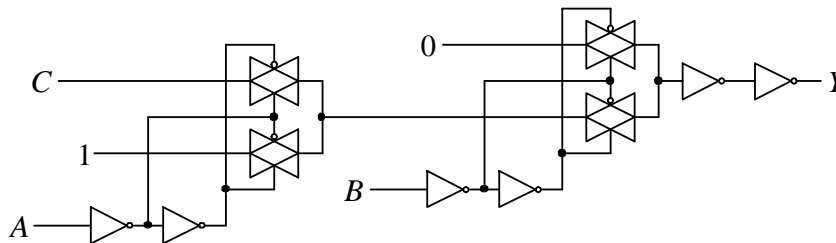
REŠENJA ZADATAKA

3. $Y = B(A + C)$

a)



b)



4. $v_Y(t) = 5V - 7,5V \cdot e^{-20000t}$, za $0 < t < T_1$

$v_Y(t) = 7,5V \cdot e^{-20000(t-T_1)}$, za $T_1 < t < T_1 + T_2$

$T_1 = T_2 = 54,93\mu s$

$f = \frac{1}{T_1 + T_2} = 9,102kHz$

