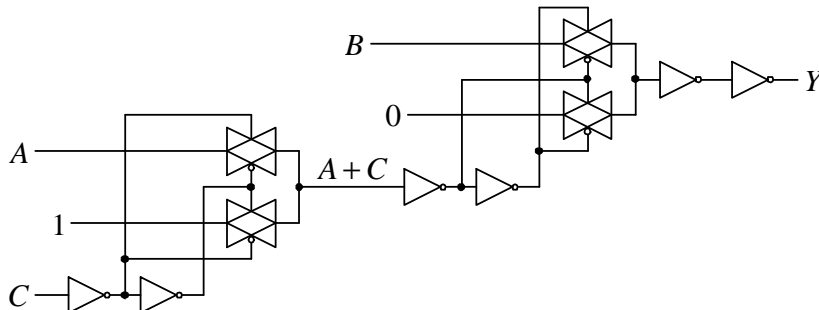


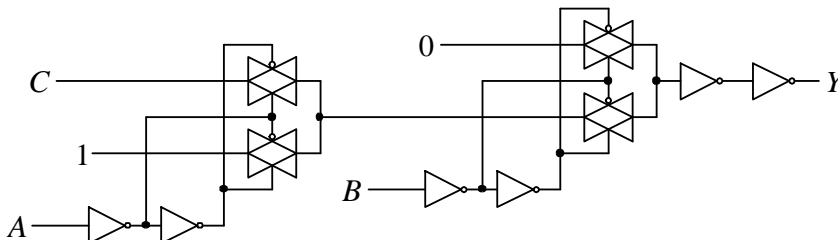
REŠENJA ZADATAKA

3.  $Y = B(A + C)$

a)



b)



4.  $v_x(t) = 5V - 8V \cdot e^{-10000t}$ , za  $0 < t < T_1$

$v_x(t) = 8V \cdot e^{-10000(t-T_1)}$ , za  $T_1 < t < T_1 + T_2$

$T_1 = T_2 = 138,63\mu s$

$f = \frac{1}{T_1 + T_2} = 3606,7Hz$

